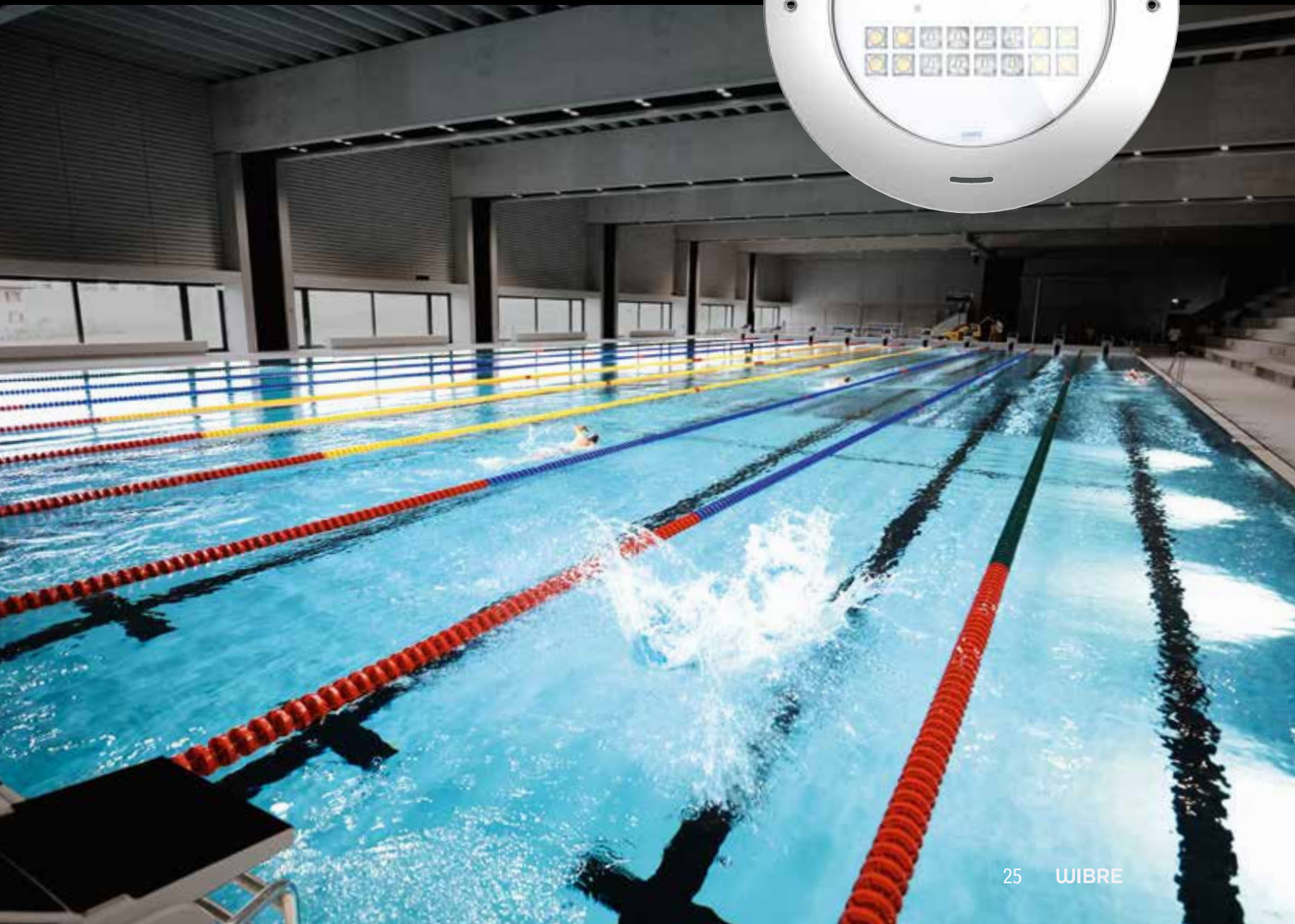


4.0492 SWIMMINGPOOL-LIGHT

⚡ UP TO 18600 LUMEN LIGHT INTENSITY
IDEAL FOR COMPETITION AND SPORT POOLS

- ☰ · Protection class IP68 – up to 5m water depth
- Entirely made of stainless steel 316Ti 1.4571, epolished
- Round attachment cover, made of stainless steel 316Ti, height 2 mm
- ...
- POW-LED cold white, warm white, neutral white
- POW-LED royal blue
- Multichip POW-LED RGB-W
- operating mode: constant current
- temperature controlled (onboard)
- surge protection
- light distribution especially for swimming pool lighting "asymmetric Mixflux"
- ...
- Constant-current power source/RGB-W-controller ordered separately
- Installation housing made of stainless steel 316Ti with 1.5 m cable protection tube
- Supplied with 5 m of special underwater cable

← NEW



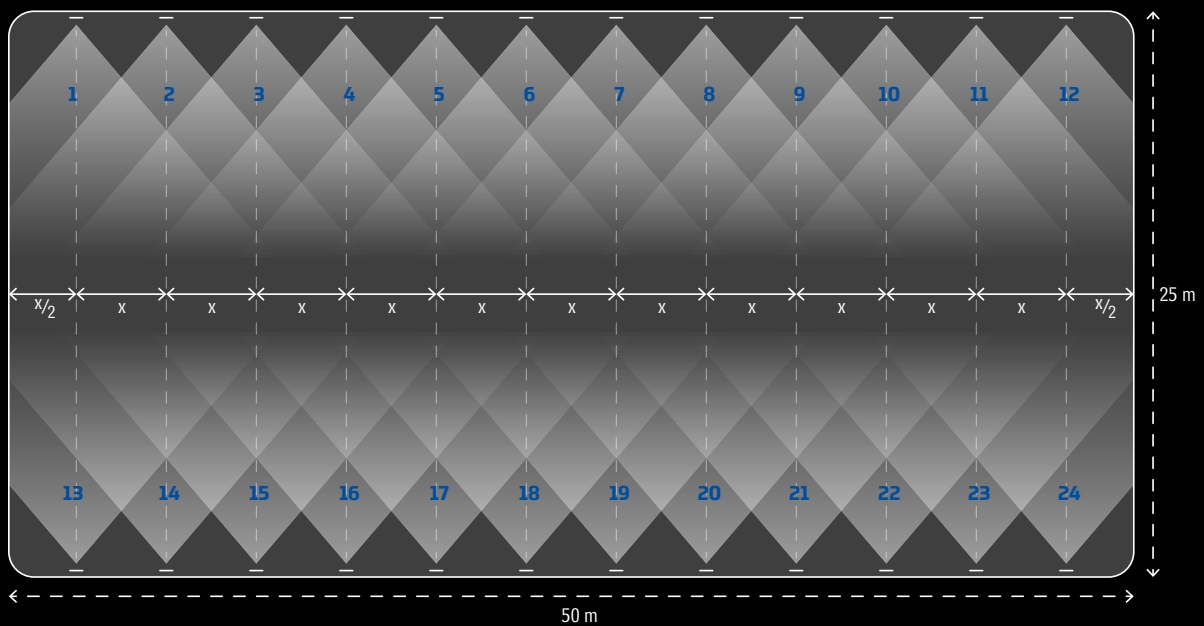
” PEAK PERFORMANCE FOR HIGH PERFORMANCES. A POWER-PACK - AS SIMPLE AS NEVER BEFORE.



© Roland Matthes Schwimmhalle, Erfurt, Germany; Photo: Wolfgang Fallier ▲
© Campus Sursee, Switzerland; Photo: Samuel Trümpy ▼

≈ TYPICAL APPLICATIONS

With a distance of about 4 metres each, you choose an opposite parallel arrangement to illuminate competition pools optimally - 12 spotlights per pool length are recommended here. For sports pools with a size of 25 x 12 metres, 5 to 6 spotlights per side are intended. The positioning can also be done in a diagonally offset way.



[+] CONFIGURATION

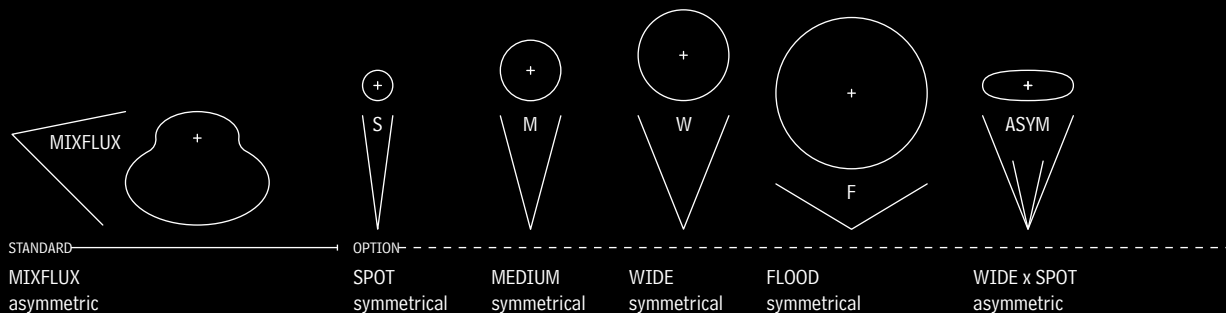
LIGHT COLORS



STANDARD

6000K cold white 4500K neutral white 3000K warm white RGB-6000K + cold white RGB-4500K + neutral white RGB-3000K + warm white

BEAM ANGLES



ADDITIONAL PARTS



OPTION

glass disc, frosted
for softer light distribution
(light loss approx. -15 %)

INSTALLATION TYPES



concrete pools
with tile covering



foil lined pools
(pressure flange)



pools with adhesive/
foil coating
(adhesive flange)



thin-walled pools
(pressure flange)

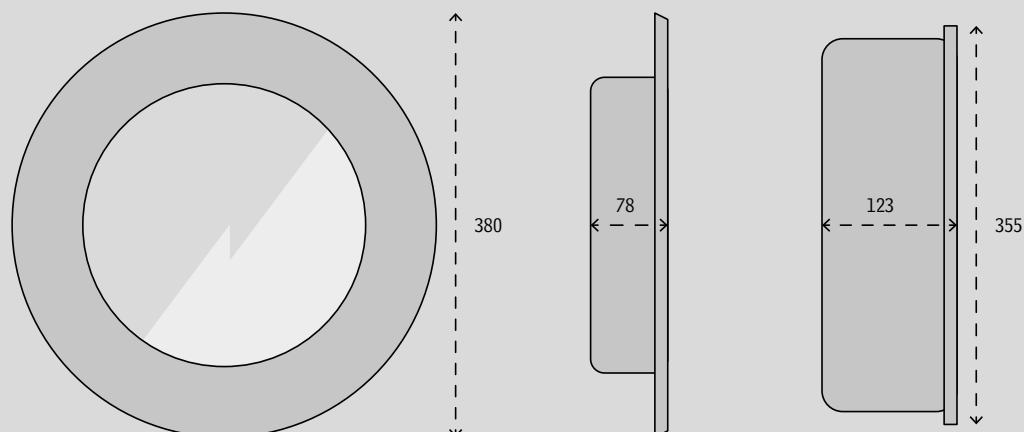


stainless steel pools



facing concrete pools

☒ DIMENSIONS



4.0492 SWIMMINGPOOL-LIGHT

IP68
 STAINLESS STEEL V4A 1.4571 316Ti
 POW-LED INCL.
 3.000 K 4.500 K 6.000 K BLUE
 RGB-W
 CONSTANT CURRENT CONSTANT VOLTAGE
 DALI 1-10 V OPTIONAL DIMM
 CABLE INCL.
 max 5m

 CE



MONOCHROME ILLUMINATION

| # | 4.0492.00.11 | # | 4.0492.00.12 | # | 4.0492.00.13 |
|---------|----------------------|---------|----------------------|---------|----------------------|
| COLOR | 6000K cold white | COLOR | 3000K warm white | COLOR | 4500K neutral white |
| LED | 32 POW-LED | LED | 32 POW-LED | LED | 32 POW-LED |
| LUMEN | 18600 lm | LUMEN | 15040 lm | LUMEN | 16080 lm |
| WATT | total 120 W | WATT | total 120 W | WATT | total 120 W |
| POWER | CV 12 V-DC | POWER | CV 12 V-DC | POWER | CV 12 V-DC |
| BEAM | asymmetrisch Mixflux | BEAM | asymmetrisch Mixflux | BEAM | asymmetrisch Mixflux |
| CABLE | UW, 5x1,5 qmm | CABLE | UW, 5x1,5 qmm | CABLE | UW, 5x1,5 qmm |
| CONNECT | 5.0630.10.32 max 1 | CONNECT | 5.0630.10.32 max 1 | CONNECT | 5.0630.10.32 max 1 |

DYNAMIC ILLUMINATION

| # | 4.0492.00.41 | # | 4.0492.00.42 | # | 4.0492.00.43 |
|---------|-------------------------|---------|-------------------------|---------|----------------------------|
| COLOR | RGB-CW cold white 6000K | COLOR | RGB-WW warm white 3000K | COLOR | RGB-NW neutral white 4500K |
| LED | 32 Multichip POW-LED | LED | 32 Multichip POW-LED | LED | 32 Multichip POW-LED |
| LUMEN | cold white: 4640 lm | LUMEN | warm white: 3760 lm | LUMEN | neutral white: 4020 lm |
| WATT | all on 140 W | WATT | all on 140 W | WATT | all on 140 W |
| POWER | CC 12 V-DC | POWER | CC 12 V-DC | POWER | CC 12 V-DC |
| BEAM | asymmetrisch Mixflux | BEAM | asymmetrisch Mixflux | BEAM | asymmetrisch Mixflux |
| CABLE | UW, 41x0,5 qmm | CABLE | UW, 41x0,5 qmm | CABLE | UW, 41x0,5 qmm |
| CONNECT | 5.0670.49.52 max 1 | CONNECT | 5.0670.49.52 max 1 | CONNECT | 5.0670.49.52 max 1 |

INSTALLATION HOUSINGS

| | | |
|--|---|---|
| # 4.0492.01.00 made of V4A stainless steel with 1.5 m protective cable tube and M20 plastic terminating connection, for welding into stainless steel pools and for installation in concrete pools with tile covering | # 4.0492.02.00 made of V4A stainless steel with 1.5 m protective cable tube and M20 plastic terminating connection, for installation in thin-walled pools and foil lined pools (pressure flange mm) | # 4.0492.03.00 made of V4A stainless steel with 1.5 m protective cable tube and M20 plastic terminating connection, for installation in pools with adhesive/foil coating (adhesive flange mm) |
|--|---|---|