

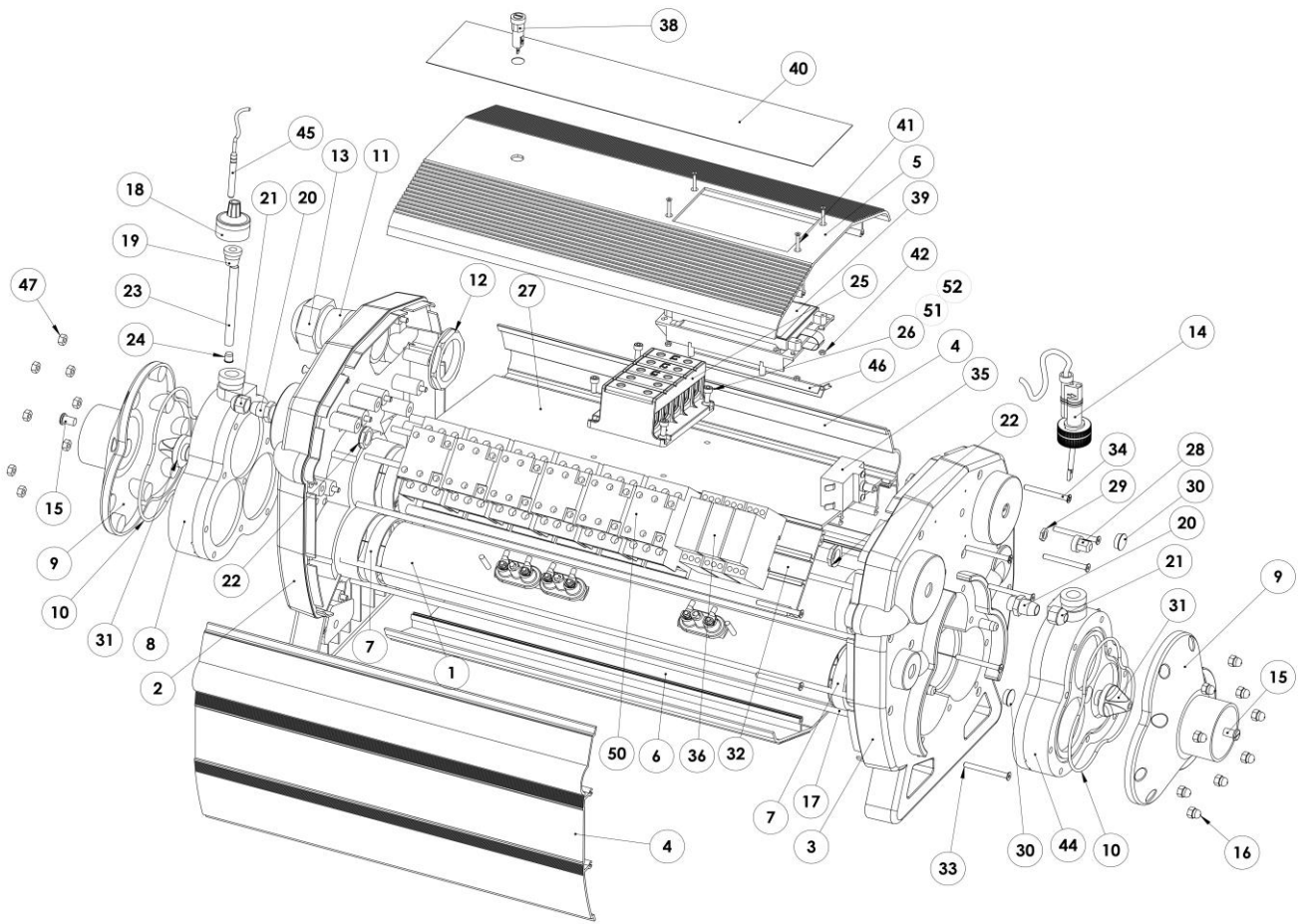
Titan Optima

SPARE PART LISTS



ELECRO
ENGINEERING

Titan Optima Touchscreen



Item No.:	Description:	Pcs/Unit:	Part Code:	GBP RRP (£)	EUR RRP (€)
1	Flow tube	3	See Table 3	-	-
2	Left Hand End Panel PG36 18-kW To 54-kW 400V 24-kW & 36-kW DELTA	1	X-IM-C-EP-L	54.25	60.76
	Left Hand End Panel PG48 60-kW To 120-kW 400V 36-kW To 90-kW DELTA		X-IM-C-EP-L48	59.00	66.08
3	Right Hand End Panel	1	Z-IM-C-EP-R	55.00	61.60
4	Silver Side Panel Small	2	Z-SMW-C-SPS	30.30	33.94
	Silver Side Panel Large		Z-SMW-C-SPL	55.30	61.94
5	Top Panel Small	1	Z-SMW-C-TPS	43.50	48.72
	Top Panel Large		Z-SMW-C-TPL	70.00	78.40
6	Bottom Panel Small	1	Z-SMW-C-BPS	37.00	41.44
	Bottom Panel Large		Z-SMW-C-BPL	69.80	78.18
7	HNBR Flow Tube Gasket	6	SP-HE-GSK	14.50	16.24
8	Inlet (Left) Manifold	1	Z-IM-MF-CL	42.00	47.04
9	Manifold Cover	1	Z-IM-MF-CVR	13.00	14.56
10	Manifold O-Ring	1	Z-ORS-MANI	8.50	9.52
11	PG36 Cable Entry Gland With Back Nut	1	Z-CON-PG36BK + Z-CON-PG36NUT	13.50	15.12
13	PG48 Cable Entry Gland With Back Nut		Z-CON-PG48BK + Z-CON-PG48NUT	22.25	24.92
14	Flow Switch	1	SP-107-D	38.75	43.40
15	M8 x 12-mm S/S Slot Pan Screw	2	Z-FIX-M8X12	7.25	8.12
16	M6 Cap Nut	9	Z-FIX-M6CAP	5.25	5.88
17	M6 Tie Bar Small	9	Z-STU-604	11.00	12.32
	M6 Tie Bar Medium		Z-STU-782	12.00	13.44
	M6 Tie Bar Large		Z-STU-947	12.00	13.44
18	Thermostat Pocket Cap	1	Z-IM-HE-SPC	11.00	12.32
19	EPDM Ferrule	1	Z-IM-EL-FER	7.50	8.40
20	PG9 Cable Entry Gland With Back Nut	2	Z-CON-PG9BK	7.50	8.40
21				7.50	8.40
22				3.50	3.92
23	8.5-mm OD Titanium Thermostat Pocket	1	Z-TUB-Ti8.5-90	126.75	141.96
24	EPDM Thermostat Pocket Seal	1	Z-IM-GSK-BUNG	15.75	17.64
25	Terminal Block	1	U-TB-230A	26.50	29.68
26+51+52	M5 x 10-mm Mounting Screw Set	4	Z-FIX-M5X10SC + Z-FIX-M5HEX + Z-FIX-M5LW	38.75	43.40
27	Terminal Block Cross Rail Small	1	Z-SMW-CRS-TB	60.50	67.76
	Terminal Block Cross Rail Medium		Z-SMW-CRM-TB	7.25	8.12
	Terminal Block Cross Rail Large		Z-SMW-CRL-TB	-	-
28	Thermal Cut Out Cover (Black)	1	Z-CON-PG9DBC	7.25	8.12
29	Thermal Cut Out Nut M8	1	Supplied with no.35	5.75	6.44
30	PG9 Blanking Cover	1	Z-CON-PG9DB	23.60	26.43
31	Manifold Diffuser	2	Z-IM-MF-DIF	32.20	36.06
32	DIN Rail Cross Rail Small	1	Z-SMW-C-CRS	23.60	26.43
	DIN Rail Cross Rail Large		Z-SMW-C-CRL	38.30	42.90
33	M5 x 50-mm S/S CSK Socket Cap	12	Z-FIX-M5X50CS-SC	46.50	52.08
34	M5 x 50-mm S/S CSK Pozi Drive	4	Z-FIX-M5X50CS-PD	-	-
35	Safety Thermal Cut Out (Manual Reset)	1	SP-MIS-HLS	46.50	52.08
36	OMRON Delay Timer	2, 3, 4, 5	See Tab.4	144.75	162.12
38	Fuse Holder	1	Z-MIS-FH	11.00	12.32
39	Touch Screen	1	Z-MIS-BMS-TS	67.50	75.60
40	Touch Screen Overlay	1	Z-LAB-C-TS	23.50	26.32
41	PCB Digital Thermostat Board	1	Z-MIS-BMS-PCB	132.25	148.12
42	Digital Controller Mounting Bracket	1	Z-IM-OC-DIG-MB	10.00	11.20
43	PCB Board Cover	1	Z-SMW-SFS-PCB	12.50	14.00
44	Outlet (Right) Manifold	1	Z-IM-MF-CR	7.25	8.12
45	NTC Temperature Sensor	1	Z-MIS-NTC-1000	30.75	34.44
46	Capillary Bulb Holder	1	X-SMW-HLS-CBH	7.25	8.12
47	M6 S/S Full Hex Nut	9	Z-FIX-M6HEX	5.25	5.88
50	SIEMENS Contactor	4, 6, 8, 10	See Tab.5	-	-
53, 54, 55	M3x22-mm Mounting Screw Set	4	Z-FIX-M3x22CS-PD + Z-FIX-M3HEX + Z-FIX-M3FW	4.5	5.04

Table 1. Replacement Tank Assembly

380-440 3-Phase Power Output:	Titanium Flow Tube with Titanium Heating Element Part Code:	GBP RRP (£)	EUR RRP (€)	Description:
18-kW	SP-TA-CP-500-6	330.75	370.44	6-kW 500-mm Replacement Tank Assembly 400V
	SP-TA-CP-500-6-380	330.75	370.44	6-kW 500-mm Replacement Tank Assembly 380V
	SP-TA-CP-500-6-415	330.75	370.44	6-kW 500-mm Replacement Tank Assembly 415V
24-kW	SP-TA-CP-500-8	342.75	383.88	8-kW 500-mm Replacement Tank Assembly 400V
	SP-TA-CP-500-8-380	342.75	383.88	8-kW 500-mm Replacement Tank Assembly 380V
	SP-TA-CP-500-8-415	342.75	383.88	8-kW 500-mm Replacement Tank Assembly 415V
30-kW	SP-TA-CP-500-10	348.50	390.32	10-kW 500-mm Replacement Tank Assembly 400V
	SP-TA-CP-500-10-380	348.50	390.32	10-kW 500-mm Replacement Tank Assembly 380V
	SP-TA-CP-500-10-415	348.50	390.32	10-kW 500-mm Replacement Tank Assembly 415V
36-kW	SP-TA-CP-500-12	353.00	395.36	12-kW 500-mm Replacement Tank Assembly 400V
	SP-TA-CP-500-12-380	353.00	395.36	12-kW 500-mm Replacement Tank Assembly 380V
	SP-TA-CP-500-12-415	353.00	395.36	12-kW 500-mm Replacement Tank Assembly 415V
45-kW	SP-TA-CP-500-15	407.75	456.68	15-kW 500-mm Replacement Tank Assembly 400V
	SP-TA-CP-500-15-380	407.75	456.68	15-kW 500-mm Replacement Tank Assembly 380V
	SP-TA-CP-500-15-415	407.75	456.68	15-kW 500-mm Replacement Tank Assembly 415V
54-kW	SP-TA-CP-500-18	412.25	461.72	18-kW 500-mm Replacement Tank Assembly 400V
	SP-TA-CP-500-18-380	412.25	461.72	18-kW 500-mm Replacement Tank Assembly 380V
	SP-TA-CP-500-18-415	412.25	461.72	18-kW 500-mm Replacement Tank Assembly 415V
60-kW	SP-TA-CP-500-20	581.25	651.00	20-kW 500-mm Replacement Tank Assembly 400V
	SP-TA-CP-500-20-380	581.25	651.00	20-kW 500-mm Replacement Tank Assembly 380V
	SP-TA-CP-500-20-415	581.25	651.00	20-kW 500-mm Replacement Tank Assembly 415V
72-kW	SP-TA-CP-500-24	592.75	663.88	24-kW 500-mm Replacement Tank Assembly 400V
	SP-TA-CP-500-24-380	592.75	663.88	24-kW 500-mm Replacement Tank Assembly 380V
	SP-TA-CP-500-24-415	592.75	663.88	24-kW 500-mm Replacement Tank Assembly 415V
96-kW	SP-TA-CP-843-32	687.50	770.00	32-kW 843-mm Replacement Tank Assembly 400V
	SP-TA-CP-843-32-380	687.50	770.00	32-kW 843-mm Replacement Tank Assembly 380V
	SP-TA-CP-843-32-415	687.50	770.00	32-kW 843-mm Replacement Tank Assembly 415V
120-kW	SP-TA-CP-843-40	701.00	785.12	40-kW 843-mm Replacement Tank Assembly 400V
	SP-TA-CP-843-40-380	701.00	785.12	40-kW 843-mm Replacement Tank Assembly 380V
	SP-TA-CP-843-40-415	701.00	785.12	40-kW 843-mm Replacement Tank Assembly 415V
220-240v 3-Phase Power Output:	Titanium Flow tube with Titanium Heating Element Part Code:	GBP RRP (£)	EUR RRP (€)	Description:
18-kW	SP-TA-CP-500-6	330.75	370.44	6-kW 500-mm Replacement Tank Assembly
24-kW	SP-TA-CP-500-8	342.75	383.88	8-kW 500-mm Replacement Tank Assembly
30-kW	SP-TA-CP-500-10	348.50	390.32	10-kW 500-mm Replacement Tank Assembly
36-kW	SP-TA-CP-500-12	353.00	395.36	12-kW 500-mm Replacement Tank Assembly
45-kW	SP-TA-CP-500-15	567.50	635.60	15-kW 500-mm Replacement Tank Assembly
54-kW	SP-TA-CP-500-18	579.75	649.32	18-kW 500-mm Replacement Tank Assembly
60-kW	SP-TA-CP-843-20	660.50	739.76	20-kW 678-mm Replacement Tank Assembly
72-kW	SP-TA-CP-843-24	674.00	754.88	24-kW 678-mm Replacement Tank Assembly
90-kW	SP-TA-CP-843-32	687.50	770.00	32-kW 843-mm Replacement Tank Assembly

Table 2. Replacement Heating Elements

380-440V 3-Phase Power Output:	Titanium Heating Element Part Code:	GBP RRP (£)	EUR RRP (€)	Pcs:	Description:
18-kW	SP-EL-Ti2.8KW7T	119.00	133.28	6	2.8-kW Replacement Heating Element Kit
24-kW	SP-EL-Ti4KW7T	122.45	137.14	6	4-kW Replacement Heating Element Kit
30-kW	SP-EL-Ti5KW7T	134.25	150.36	6	5-kW Replacement Heating Element Kit
36-kW	SP-EL-Ti6KW7T	134.25	150.36	6	6-kW Replacement Heating Element Kit
45-kW	SP-EL-Ti5KW7T	129.50	145.04	9	5-kW Replacement Heating Element Kit
54-kW	SP-EL-Ti6KW7T	134.25	150.36	9	6-kW Replacement Heating Element Kit
60-kW	SP-EL-Ti6.7KW7T	140.00	156.80	9	6.7-kW Replacement Heating Element Kit
72-kW	SP-EL-Ti8KW7T	144.50	161.84	9	8-kW Replacement Heating Element Kit
96-kW	SP-EL-Ti8KW7T	144.50	161.84	12	8-kW Replacement Heating Element Kit
120-kW	SP-EL-Ti8KW7T	144.50	161.84	15	8-kW Replacement Heating Element Kit
220-240V 3-Phase Power Output:	Titanium Heating Element Part Code:	GBP RRP (£)	EUR RRP (€)	Pcs:	Description:
18-kW	SP-EL-Ti2.8KW7T	119.00	133.28	6	2.8-kW Replacement Heating Element Kit
24-kW	SP-EL-Ti4KW7T	122.45	137.14	6	4-kW Replacement Heating Element Kit
30-kW	SP-EL-Ti5KW7T	134.25	150.36	6	5-kW Replacement Heating Element Kit
36-kW	SP-EL-Ti6KW7T	134.25	150.36	6	6-kW Replacement Heating Element Kit
45-kW	SP-EL-Ti5KW7T	129.50	145.04	9	5-kW Replacement Heating Element Kit
54-kW	SP-EL-Ti6KW7T	134.25	150.36	9	6-kW Replacement Heating Element Kit
60-kW	SP-EL-Ti5KW7T	129.50	145.04	12	5-kW Replacement Heating Element Kit
72-kW	SP-EL-Ti6KW7T	134.25	150.36	12	6-kW Replacement Heating Element Kit
90-kW	SP-EL-Ti6KW7T	134.25	150.36	15	6-kW Replacement Heating Element Kit

Table 3. Replacement Flow Tube

380-440V 3-Phase Power Output:	Titanium Flow Tube Part Code:	GBP RRP (£)	EUR RRP (€)	Description:
18-kW	X-TUB-TI500-2E-C	150.25	168.28	500-mm Replacement Titan Optima Flow Tube
24-kW				
30-kW				
36-kW				
45-kW				
54-kW	X-TUB-TI500-3E-C	150.25	168.28	
60-kW	X-TUB-TI500-3E-C	215.00	240.80	
72-kW	X-TUB-TI843-4E-C	267.00	299.04	843-mm Replacement Titan Optima Flow Tube
120-kW	X-TUB-TI843-5E-C	267.00	299.04	
220-240V 3-Phase Power Output:	Titanium Flow Tube Part Code:	GBP RRP (£)	EUR RRP (€)	Description:
18-kW	X-TUB-TI500-2E-C	150.25	168.28	500-mm Replacement Titan Optima Flow Tube
24-kW				
30-kW				
36-kW				
45-kW				
54-kW	X-TUB-TI500-3E-C	215.00	240.80	
60-kW	X-TUB-TI843-4E-C	267.00	299.04	843-mm Replacement Titan Optima Flow Tube
90-kW	X-TUB-TI843-5E-C	267.00	299.04	

Table 4. Replacement Delay Timer

380-440V 3-Phase Power Output:	Pcs:	Product Code:	Description:	GBP RRP (£)	EUR RRP (€)
18-kW	2	Z-OM-TIM	OMRON Delay Timer	58.25	65.24
24-kW	2				
30-kW	2				
36-kW	2				
45-kW	3				
54-kW	3				
60-kW	3				
72-kW	3				
96-kW	4				
120-kW	5				
220-240V 3-Phase Power Output:	Pcs:				
18-kW	2	Z-OM-TIM	OMRON Delay Timer	58.25	65.24
24-kW	2				
30-kW	2				
36-kW	2				
45-kW	3				
54-kW	3				
60-kW	4				
72-kW	4				
90-kW	5				

Table 5. Replacement contactors

380-440V 3-Phase Power Output:	Pcs:	Product Code:	Description:	GBP RRP (£)	EUR RRP (€)
18-kW	4	Z-SIE-2023-40A	SIEMENS Contactor 2023 40Amp AC1	67.75	75.88
24-kW	4				
30-kW	4				
36-kW	4				
45-kW	6				
54-kW	6				
60-kW	6	Z-SIE-2027-50A	SIEMENS Contactor 2027 50Amp AC1	134.00	150.08
72-kW	6				
96-kW	8				
120-kW	10				
220-240V 3-Phase Power Output:	Pcs:				
18-kW	4	Z-SIE-2027-50A	SIEMENS Contactor 2027 50Amp AC1	134.00	150.08
24-kW	4				
30-kW	4				
36-kW	4				
45-kW	6				
54-kW	6				
60-kW	8				
72-kW	8				
90-kW	10				



ELECRO
ENGINEERING

Improving pools *globally*

11 Gunnels Wood Park, Gunnels Wood Road,
Stevenage, Hertfordshire, SG1 2BH, UK

Tel: +44 1438 749 474

Email: sales@elecra.co.uk

Web: www.elecra.co.uk

We reserve the right to change all or part of the features of the articles
or contents of this document, without prior notice.

SPL231-EN-Titan Optima Spare Parts List V1-01.01.2020-Elecra