

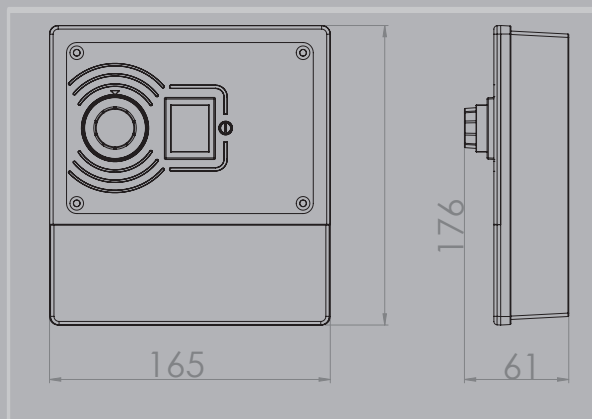
G2 Analogue Heating Controller

PRODUCT OVERVIEW

- Easy to Install
- Range of controlled temperatures up to 45°C
- Auxiliary relay for booster circulation pump and heat output
- Flow Switch sensor
- Accuracy 1.2°C
- Optional Grundfos booster pump



TECHNICAL DRAWINGS



Ideal controller for G2 or G2i Heat Exchanger



SPECIFICATIONS

Power Supply:	Single phase 220-240V
Available Models:	Heating only
Control Thermostat:	Analogue: 0 > 45°C (1.2°C differential)
Temperature Sensor	Capillary Thermostat
Flow Switch:	Gold tipped reed switch with titanium fulcrum pin
Ingress Protection Rating:	IP44
Mounting:	Wall mounting
Standards Compliance:	European Electromagnetic Compatibility directive 89/336/EEC and 93/068/EEC
Harmonised Standards:	EN 55014 – EN55104, EN 5501, EN 5502, CEI 801-4, CEI 801-2, CEI 801-3 The European Low Voltage Directive 72/23/EEC The Harmonised Standard EN 60335-2-35

Product Codes:	Description:	Outputs:	Accessories:	Net Weight	Gross Weight
				[kg]	[kg]
G2-HE-ANA	Analogue Heat Exchanger Controller	Volt free heating output Booster pump output	1 meter long Flow Switch	1	1.6
G2-HE-ANA-GP	Analogue Heat Exchanger Controller with Grundfos Pump	Volt free heating output Booster pump output	Grundfos booster pump 1 meter long Flow Switch	2.7	3.5