



Technical data sheet

# EOS Filius Control W

## Sauna heater for domestic sauna cabins. Wall-mounting model.

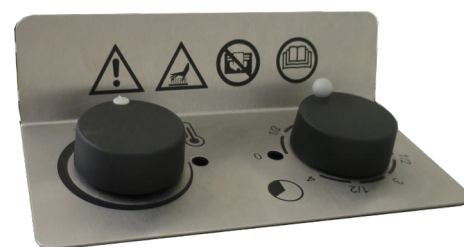
Compact sauna heater for the Finnisch (dry) sauna. With only 24 cm depth the Filius Control W heater is a very space-saving model and still offers a fairly large 8 kg rock store. Straightlined contemporary design is a perfect match for modern sauna cabins.

### Your advantages:

- Compact, extra slim design - only 24 cm depth.
- 8 kg rock store for temperature stability and good water infusions.
- Optional change of position of control unit from right to left
- No need for mounting any sensor cable (sensor is placed inside the heater)
- Easy replacement / change of heating elements
- Contemporary, straightlined design.
- Scratch resistant anthracite pearl effect powder-coating.
- Made in Germany quality from EOS.

### Specifications:

Outer shell:	Steel with anthracite pearl effect powder-coating (scratch-resistant)
Inner shell:	Galvanized steel, corrosion resistant
Top:	Brushed stainless steel
Rear wall:	Zinc-plated steel
Stone support grill:	Stainless steel
Elektro-Anschlusskasten:	Hidden in the main housing, connections from the bottom
Leistungen:	4.5, 6.0 und 7.5 kW
Anschluss:	400 V 3N AC 50 Hz
Rock store volume:	approx. 8 kg (Stones optionally available)
Installation:	Wall-mounted heater, direct mounting to the sauna wall
Temperature sensor	40 - 100 °C
Temperature limiter	142 °C, Heating time limit 4h

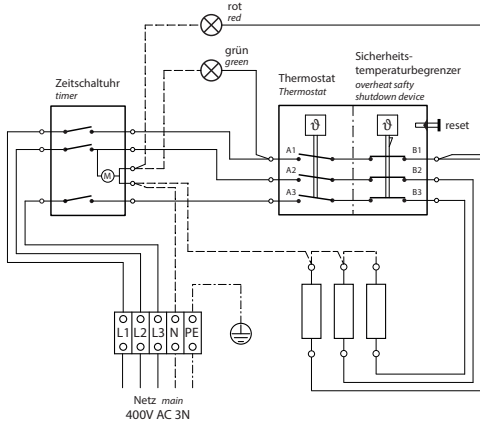


#### Control panel on the top of the heater:

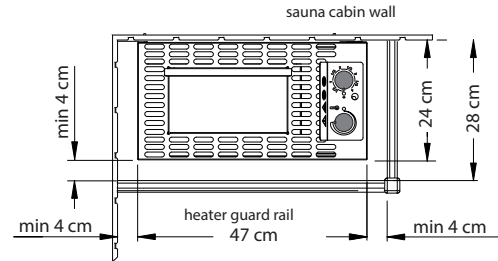
- clearly visible
- safe and simple to operate

CE EAC IPx4 MADE IN GERMANY 

### Connection diagram

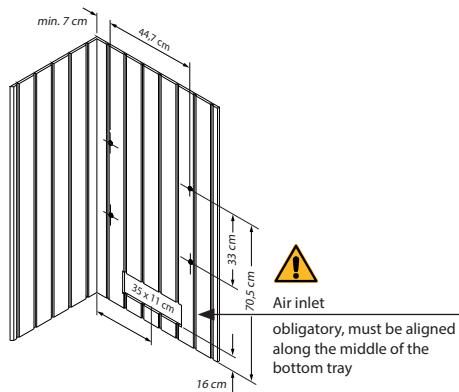


### Minimum clearances

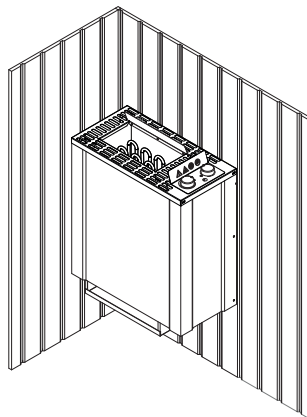


### Installation example

#### Wall-mounting installation



#### Sensor installation



### Spare heating elements

Description	Item no.
For 4.5 kW (1500W elements)	2000.8085
For 6.0 kW (2000 W elements)	2000.8086
For 7.5 kW (2500 W elements)	2000.8084

### Technical specifications

Item no.	Colour	Power output	Electrical connection	Fuse protection (control unit)	Dimensions H/W/D, in cm	For sauna cabin size	Min. size of air inlet and outlet	Weight without rocks	Stone filling	Connection mains sauna heater	Temperature-adjustment range
94.6038	Anthracite pearl effect	4.5 kW	400 V 3N AC 50 Hz	3 x 16 A	57 / 47 / 24	4 - 6 m <sup>3</sup>	35 x 11 cm	15 kg	approx. 8 kg	5 x 2,5 mm <sup>2</sup>	40 - 100 °C
94.6039		6.0 kW				6 - 8 m <sup>3</sup>					
94.6040		7.5 kW				7 - 10 m <sup>3</sup>					

All cross sections of a connection cables are minimum diameters in mm<sup>2</sup> (copper wire), make sure to observe 16 cm ground clearance.