

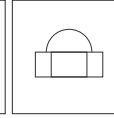


REF. 107A

Waterfall in stainless steel AISI 316L
(Marine quality). Polished or satin finish.



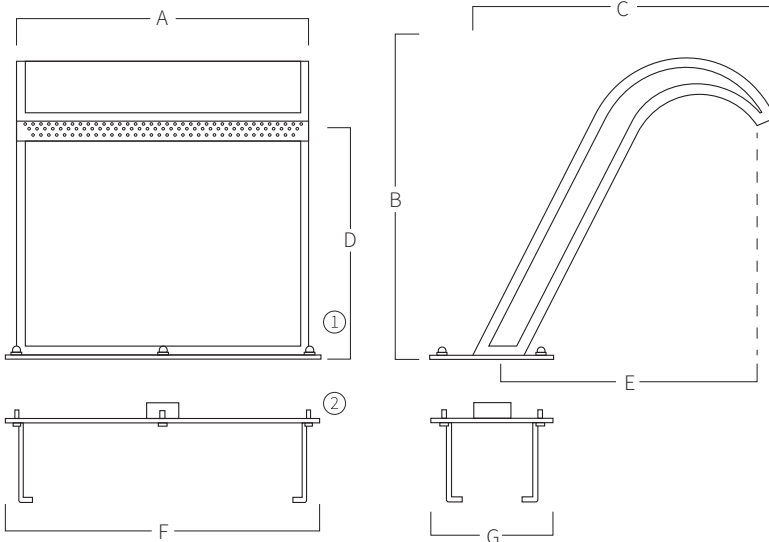
Support
Included



Nuts
Included



Earth
Connection



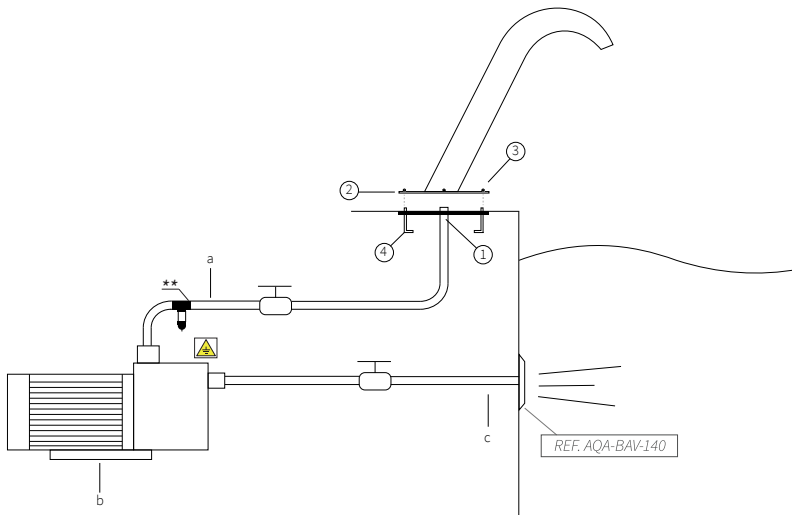
A	B	C	D	E	F	G
300 11,81	600 23,62	560 22,05	500 19,69	510 20,08	400 15,75	200 07,87
500 19,69	600 23,62	560 22,05	500 19,69	510 20,08	600 23,62	200 07,87
700 27,56	600 23,62	560 22,05	500 19,69	510 20,08	800 31,50	200 07,87
1000 39,37	600 23,62	560 22,05	500 19,69	510 20,08	1100 43,31	200 07,87

Measures in mm
Measures in inch

- ① Nuts to fix waterfall.
- ② Support to embed in the ground level.

MOUNTING SYSTEM

- 1) Connect the water intake to the support with 2" female fitting.
- 2) Fix the earth connection to the support.
- 3) Embed the support to get the platen at ground level.
- 4) Fix the waterfall with the nuts.
 - a) Impulsion tube 2" (Ø63mm).
 - b) Self-priming pump:
 - 107A (300): 1hp - 17,3m³/h (Ref. AQA-B17).
 - 107A (500): 1,5hp - 21,5m³/h (Ref. AQA-B21).
 - 107A (700): 2hp - 26,6m³/h (Ref. AQA-B26).
 - 107A (1000): 3hp - 38,8m³/h (Ref. AQA-B38).
 - c) Suction tube 2" (Ø63mm).



*Pneumatic or electric button to be defined in work.

**AQA recommends to install a POOL PROTECTOR to avoid corrosion of the existing stainless steel elements in the pool.