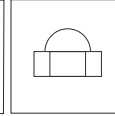


REF. 106P

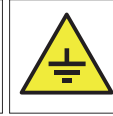
Waterfall in stainless steel AISI 316L
(Marine quality). Polished or satin finish.



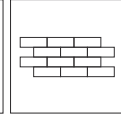
Support
Included



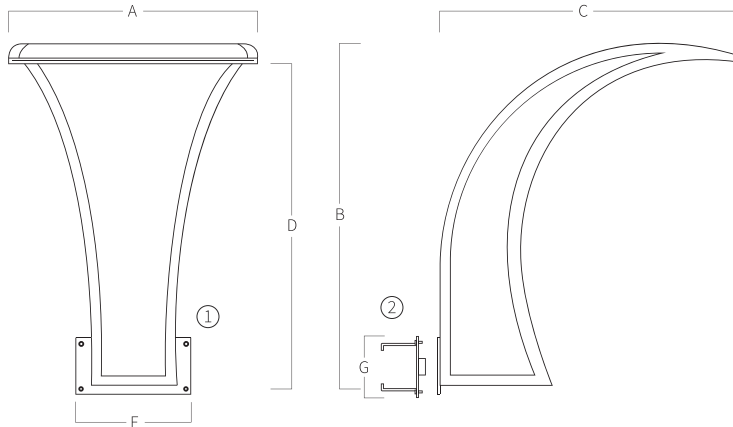
Nuts
Included



Earth
Connection



Wall
Installation

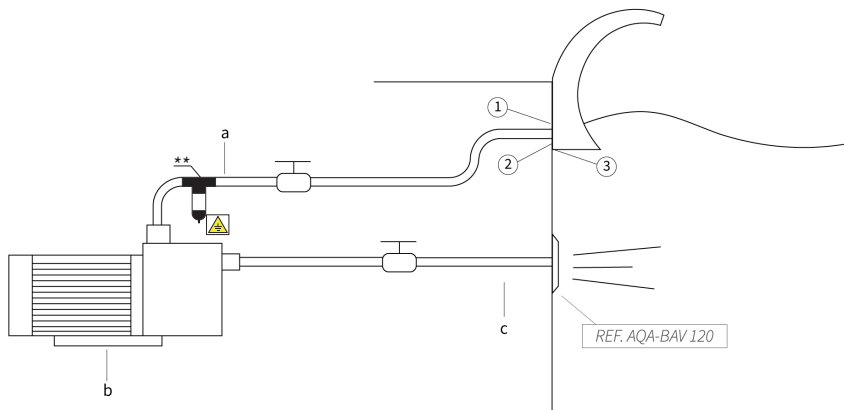


A	B	C	D	F	G
500	585	625	540	175	175
19,62	23,03	24,61	21,26	06,89	06,89

Measures in mm
Measures in inch

- ① Nuts to fix waterfall.
- ② Support to embed in the wall.

MOUNTING SYSTEM



- 1) Connect the water intake to the support with 2" female fitting.
- 2) Fix the earth connection to the support.
- 3) Embed the support to get the platen at the wall and fix the waterfall with the nuts.
 - a) Impulsion tube 2" (Ø63mm).
 - b) Self-priming pump:
 - 106P (500) 1,5hp - 21,5m³/h (Ref. AQA-B21).
 - c) Suction tube 2" (Ø63mm).

*Pneumatic or electric button to be defined in work.

**AQA recommends to install a POOL PROTECTOR to avoid corrosion of the existing stainless steel elements in the pool.